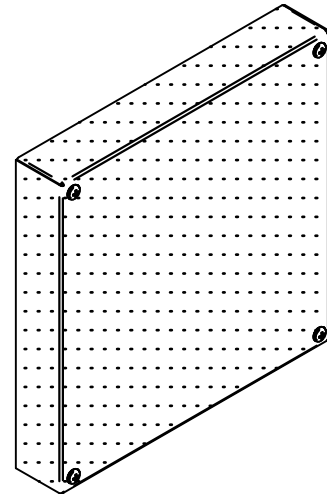
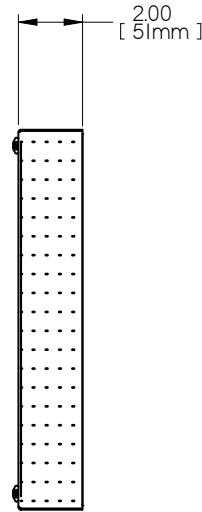
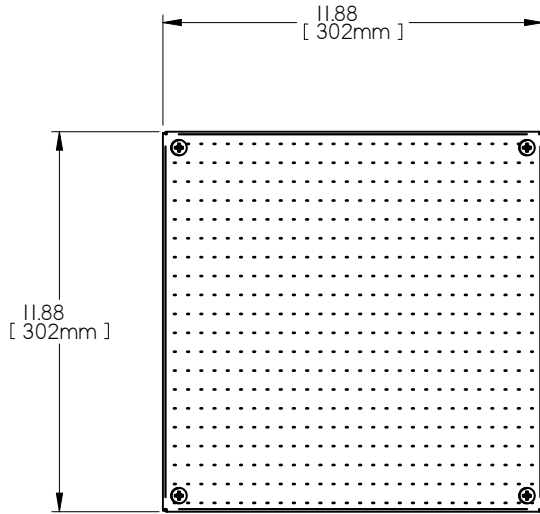


AMP - ARCHITECTURAL MODULAR PANELS



STANDARD CONSTRUCTION:

- 2" THICKNESS
- 20GA ALUM PERF
- 20GA CRS BLACK BACKING
- ACOUSTIC FIBERGLASS MEDIA

FINISH:

- PERF - B12 WHITE

OPTIONAL FINISH:

- PERF - B11 BRIGHT WHITE
- PERF - B13 OFF WHITE
- PERF - B15 METALIC GREY
- PERF - B17 BLACK
- PERF - B18 SILVER

FASTENING OPTIONS & ACCESSORIES:

- STANDARD FACE MOUNT SCREWS (COLOR MATCHED)

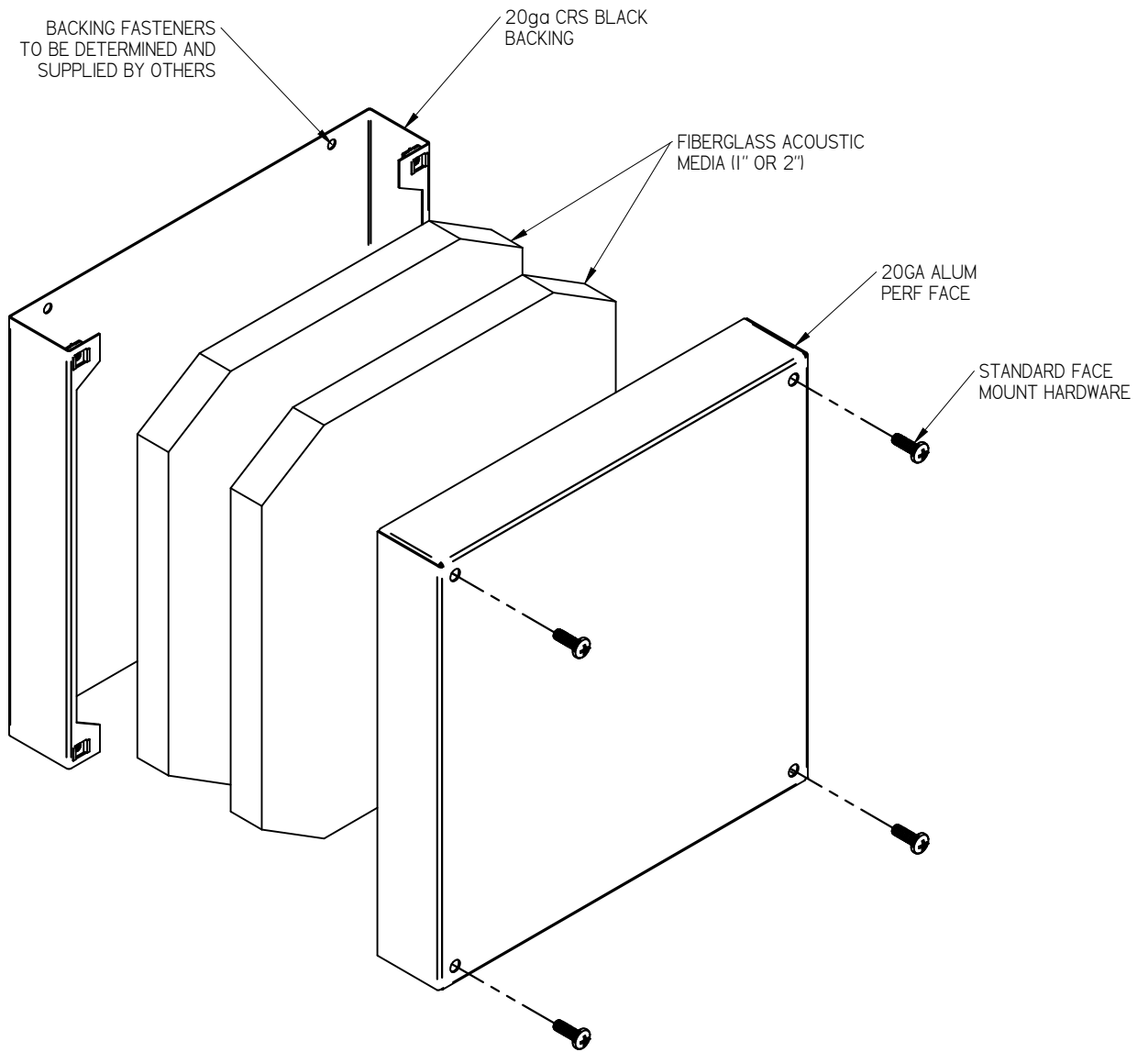
NOTES:

- FACTORY TOLERANCE +/- 1/32" (1)
- FASTENERS FOR BACKING TO BE DETERMINED AND SUPPLIED BY OTHERS

ALL METRIC DIMENSIONS () ARE SOFT CONVERTED. IMPERIAL DIMENSIONS ARE CONVERTED TO METRIC AND ROUNDED TO THE NEAREST MILLIMETER.

PROJECT:		PRICE [®]	
ENGINEER:		<i>SB</i>	AMP ARCHITECTURAL MODULAR PANELS SQUARE - 12x12
CUSTOMER:		274056	
SUBMITTAL DATE:	SPEC. SYMBOL:	JAN 2022	

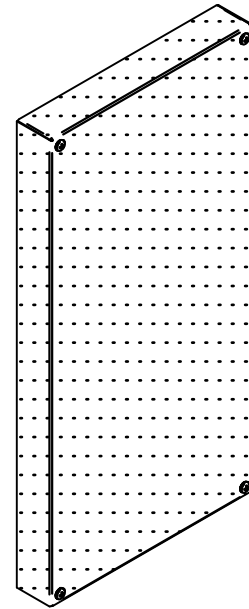
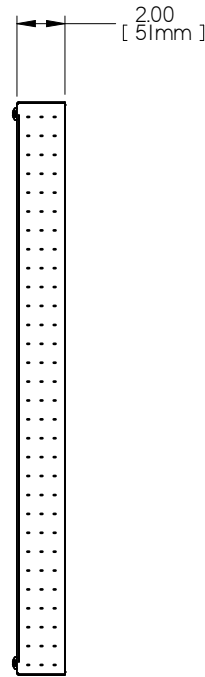
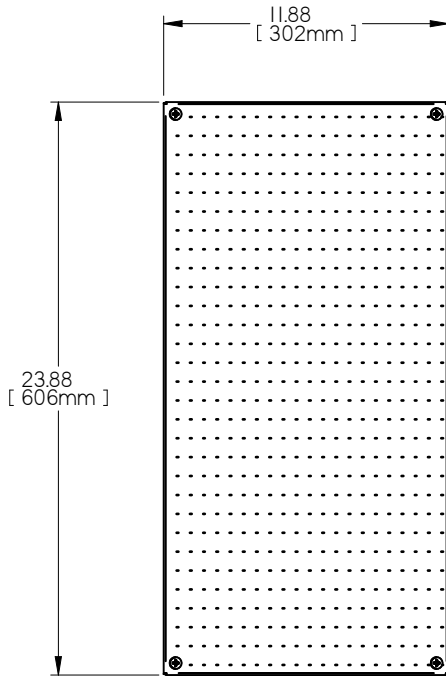
AMP - ARCHITECTURAL MODULAR PANELS



ALL METRIC DIMENSIONS () ARE SOFT CONVERTED. IMPERIAL DIMENSIONS ARE CONVERTED TO METRIC AND ROUNDED TO THE NEAREST MILLIMETER.

PROJECT:		PRICE
ENGINEER:		
CUSTOMER:		<i>SB</i>
SUBMITTAL DATE:		274056
SPEC. SYMBOL:		JAN 2022
		AMP ARCHITECTURAL MODULAR PANELS SQUARE - 12x12

AMP - ARCHITECTURAL MODULAR PANELS



STANDARD CONSTRUCTION:

- 2" THICKNESS
- 20GA ALUM PERF
- 20GA CRS BLACK BACKING
- ACOUSTIC FIBERGLASS MEDIA

FINISH:

- PERF - B12 WHITE

OPTIONAL FINISH:

- PERF - B11 BRIGHT WHITE
- PERF - B13 OFF WHITE
- PERF - B15 METALIC GREY
- PERF - B17 BLACK
- PERF - B18 SILVER

FASTENING OPTIONS & ACCESSORIES:

- STANDARD FACE MOUNT SCREWS (COLOR MATCHED)

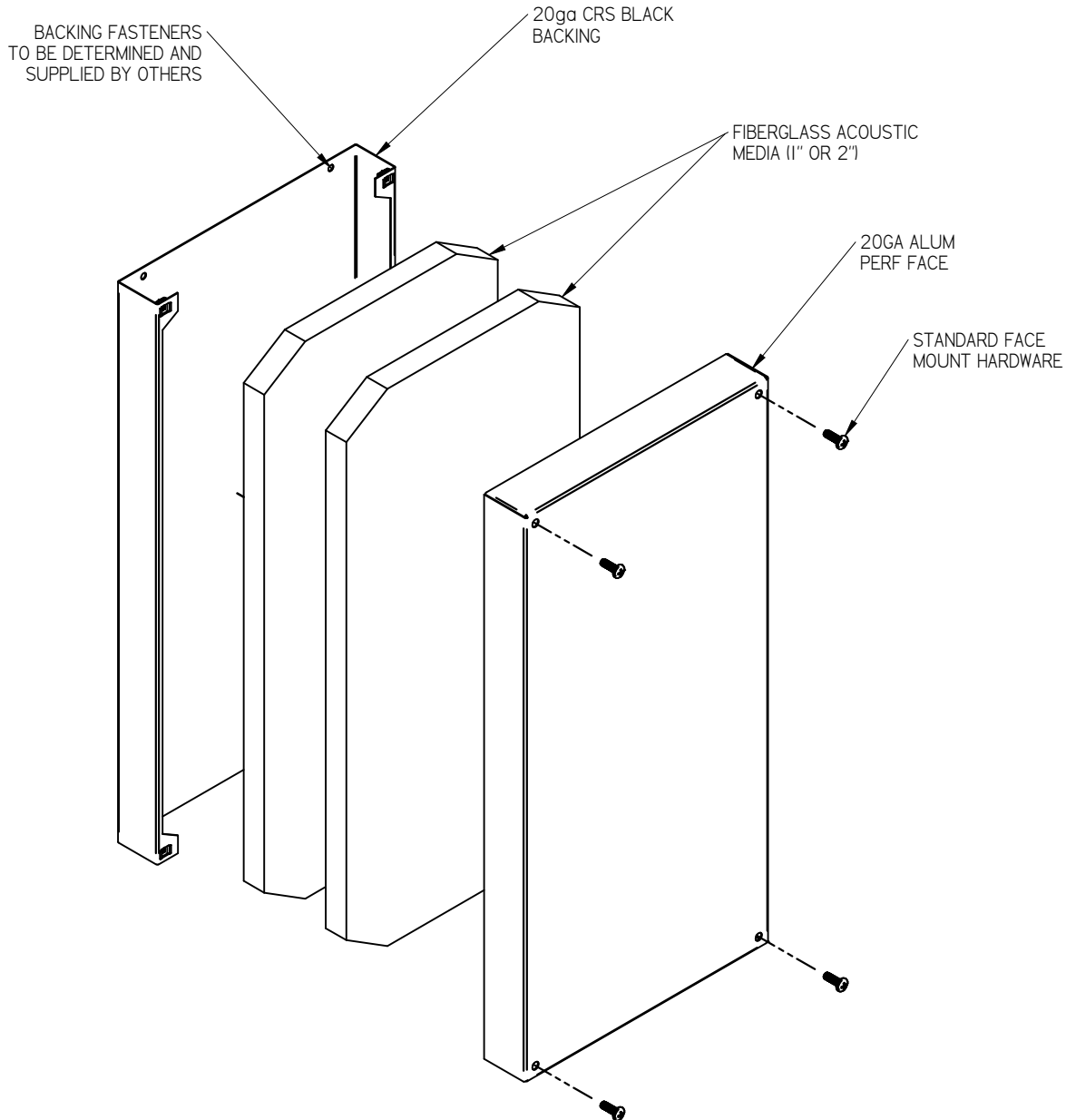
NOTES:

- FACTORY TOLERANCE +/- 1/32" (1)
- FASTENERS FOR BACKING TO BE DETERMINED AND SUPPLIED BY OTHERS

ALL METRIC DIMENSIONS () ARE SOFT CONVERTED. IMPERIAL DIMENSIONS ARE CONVERTED TO METRIC AND ROUNDED TO THE NEAREST MILLIMETER.

PROJECT:		PRICE [®]	
ENGINEER:		<i>SB</i>	AMP ARCHITECTURAL MODULAR PANELS RECTANGLE - 12x24
CUSTOMER:		274058	
SUBMITTAL DATE:	SPEC. SYMBOL:	JAN 2022	

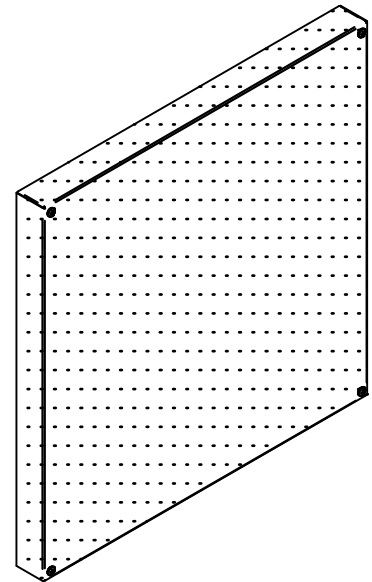
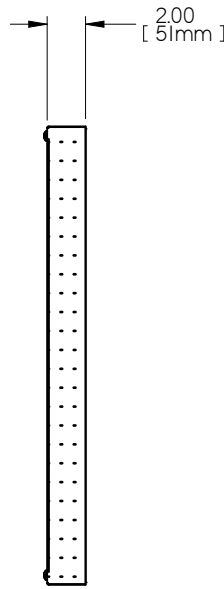
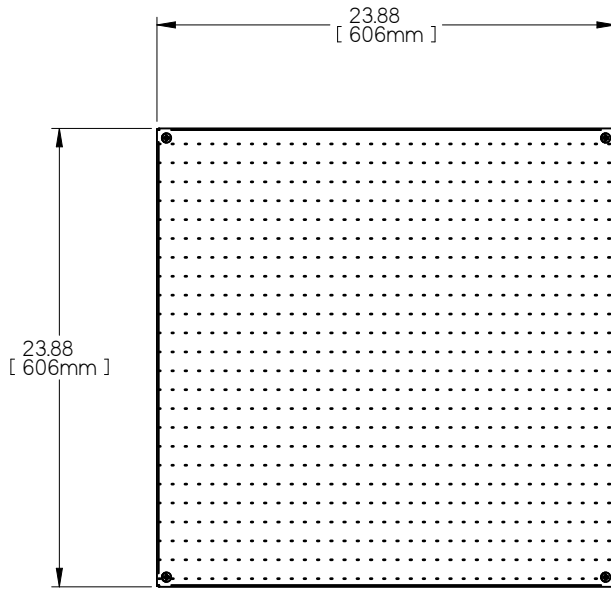
AMP - ARCHITECTURAL MODULAR PANELS



ALL METRIC DIMENSIONS () ARE SOFT CONVERTED. IMPERIAL DIMENSIONS ARE CONVERTED TO METRIC AND ROUNDED TO THE NEAREST MILLIMETER.

PROJECT:		PRICE [®]	
ENGINEER:		<i>SB</i>	AMP ARCHITECTURAL MODULAR PANELS RECTANGLE - 12x24
CUSTOMER:		274058	
SUBMITTAL DATE:	SPEC. SYMBOL:	JAN 2022	

AMP - ARCHITECTURAL MODULAR PANELS



STANDARD CONSTRUCTION:

- 2" THICKNESS
- 20GA ALUM PERF
- 20GA CRS BLACK BACKING
- ACOUSTIC FIBERGLASS MEDIA

FINISH:

- PERF - B12 WHITE

OPTIONAL FINISH:

- PERF - B11 BRIGHT WHITE
- PERF - B13 OFF WHITE
- PERF - B15 METALIC GREY
- PERF - B17 BLACK
- PERF - B18 SILVER

FASTENING OPTIONS & ACCESSORIES:

- STANDARD FACE MOUNT SCREWS (COLOR MATCHED)

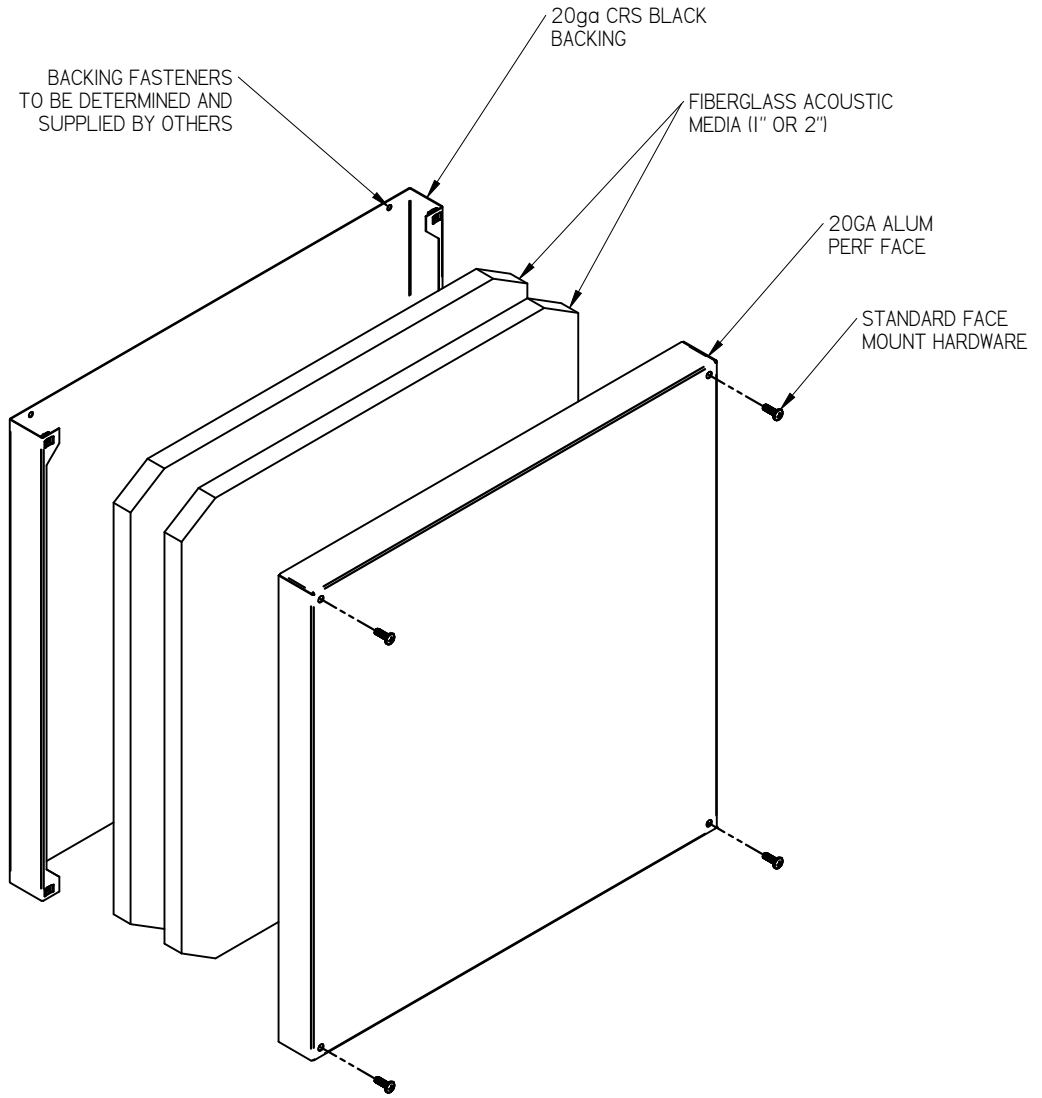
NOTES:

- FACTORY TOLERANCE +/- 1/32" (1)
- FASTENERS FOR BACKING TO BE DETERMINED AND SUPPLIED BY OTHERS

ALL METRIC DIMENSIONS () ARE SOFT CONVERTED. IMPERIAL DIMENSIONS ARE CONVERTED TO METRIC AND ROUNDED TO THE NEAREST MILLIMETER.

PROJECT:		PRICE	
ENGINEER:		<i>SB</i>	AMP ARCHITECTURAL MODULAR PANELS SQUARE - 24x24
CUSTOMER:		274057	
SUBMITTAL DATE:	SPEC. SYMBOL:	JAN 2022	

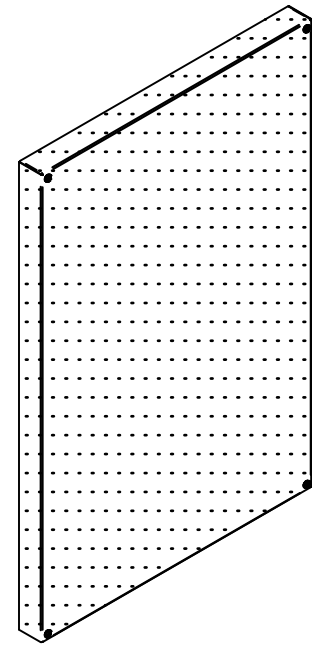
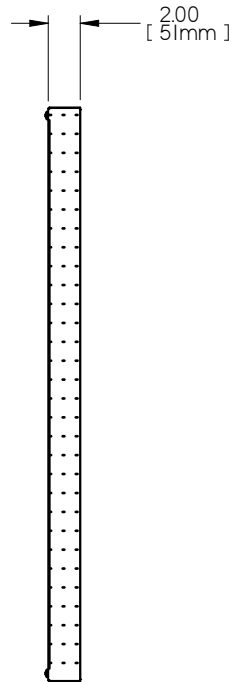
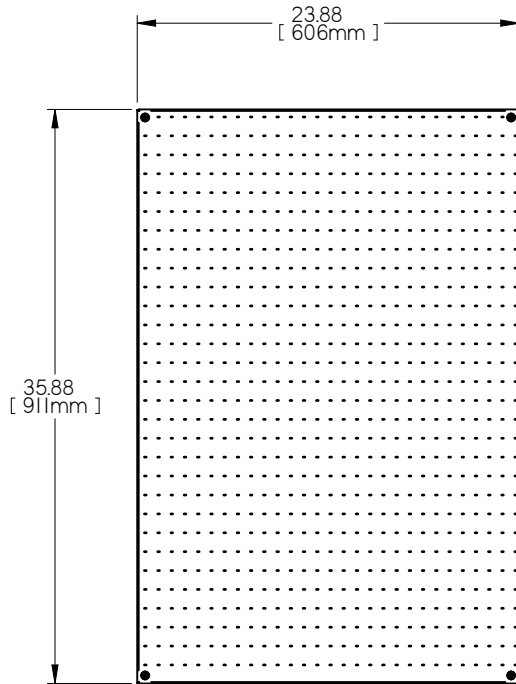
AMP - ARCHITECTURAL MODULAR PANELS



ALL METRIC DIMENSIONS () ARE SOFT CONVERTED. IMPERIAL DIMENSIONS ARE CONVERTED TO METRIC AND ROUNDED TO THE NEAREST MILLIMETER.

PROJECT:		PRICE	
ENGINEER:		<i>SB</i>	AMP ARCHITECTURAL MODULAR PANELS SQUARE - 24x24
CUSTOMER:		274057	
SUBMITTAL DATE:	SPEC. SYMBOL:	JAN 2022	

AMP - ARCHITECTURAL MODULAR PANELS



STANDARD CONSTRUCTION:

- 2" THICKNESS
- 20GA ALUM PERF
- 20GA CRS BLACK BACKING
- ACOUSTIC FIBERGLASS MEDIA

FINISH:

- PERF - B12 WHITE

OPTIONAL FINISH:

- PERF - B11 BRIGHT WHITE
- PERF - B13 OFF WHITE
- PERF - B15 METALIC GREY
- PERF - B17 BLACK
- PERF - B18 SILVER

FASTENING OPTIONS & ACCESSORIES:

- STANDARD FACE MOUNT SCREWS (COLOR MATCHED)

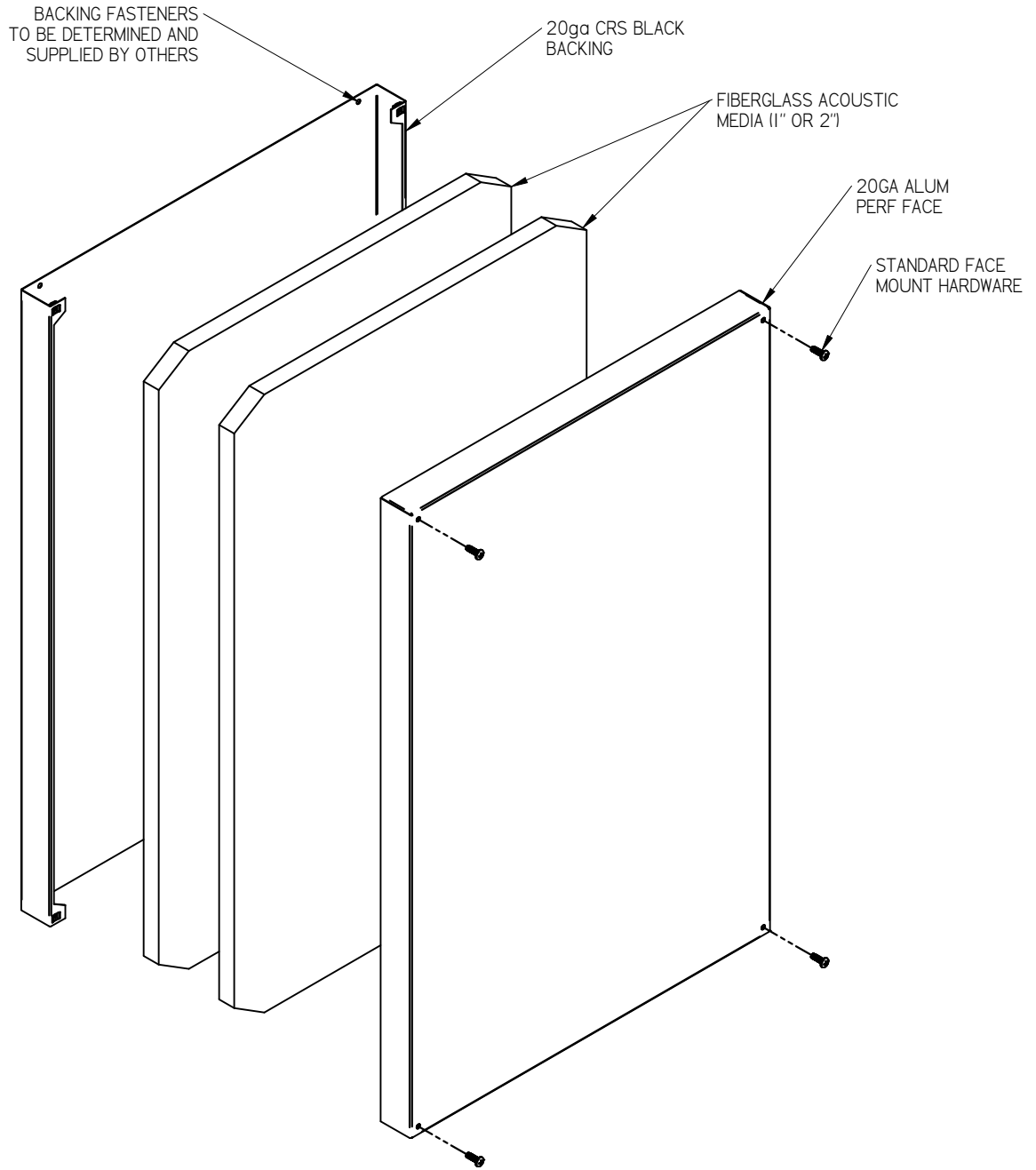
NOTES:

- FACTORY TOLERANCE +/- 1/32" (1)
- FASTENERS FOR BACKING TO BE DETERMINED AND SUPPLIED BY OTHERS

ALL METRIC DIMENSIONS () ARE SOFT CONVERTED. IMPERIAL DIMENSIONS ARE CONVERTED TO METRIC AND ROUNDED TO THE NEAREST MILLIMETER.

PROJECT:		PRICE
ENGINEER:		
CUSTOMER:		<i>SB</i>
SUBMITTAL DATE:		274059
SPEC. SYMBOL:		JAN 2022
AMP ARCHITECTURAL MODULAR PANELS RECTANGLE - 24x36		

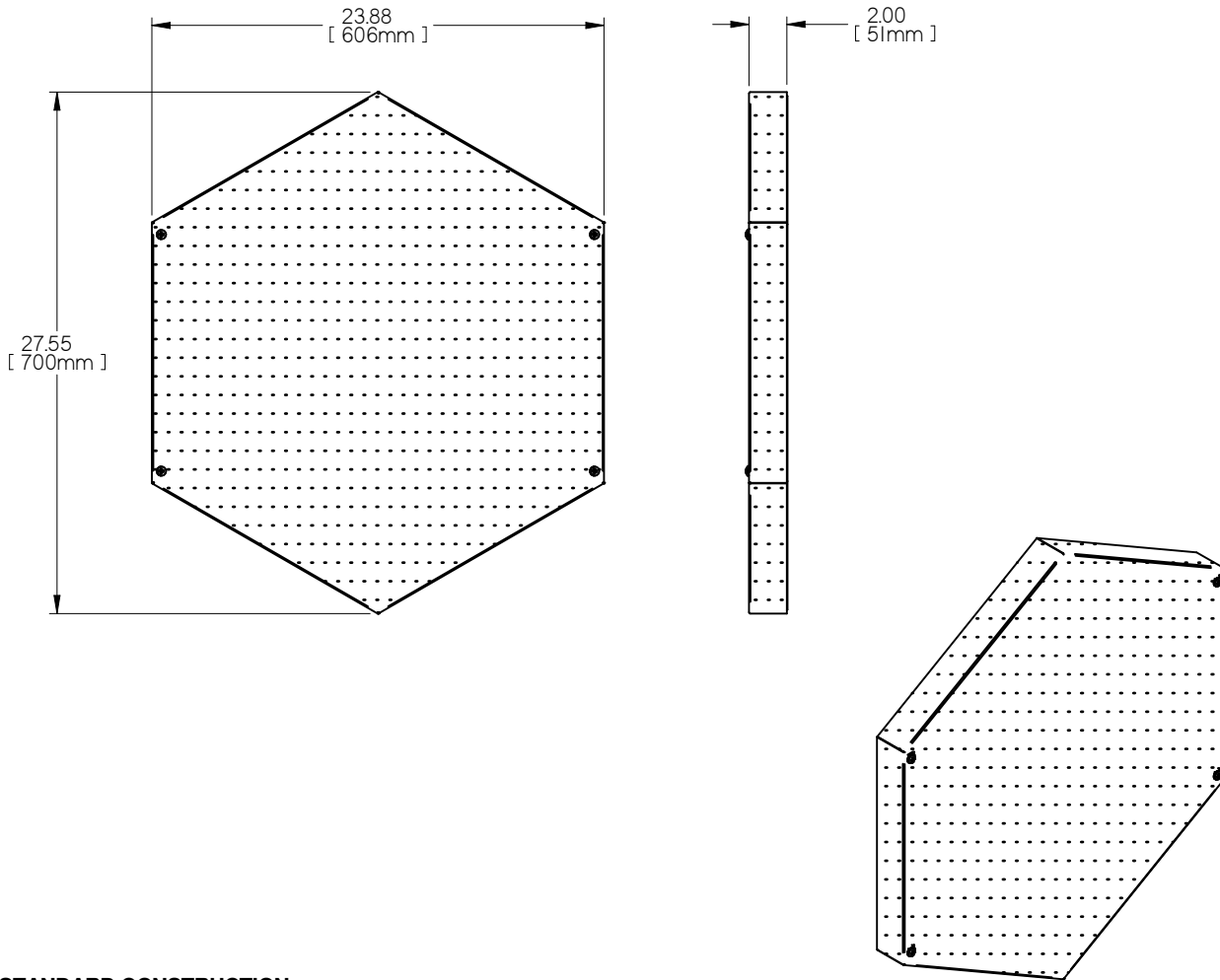
AMP - ARCHITECTURAL MODULAR PANELS



ALL METRIC DIMENSIONS () ARE SOFT CONVERTED. IMPERIAL DIMENSIONS ARE CONVERTED TO METRIC AND ROUNDED TO THE NEAREST MILLIMETER.

PROJECT:		PRICE [®]	
ENGINEER:		<i>SB</i>	AMP ARCHITECTURAL MODULAR PANELS RECTANGLE - 24x36
CUSTOMER:		274059	
SUBMITTAL DATE:	SPEC. SYMBOL:	JAN 2022	

AMP - ARCHITECTURAL MODULAR PANELS



STANDARD CONSTRUCTION:

- 2" THICKNESS
- 20GA ALUM PERF
- 20GA CRS BLACK BACKING
- ACOUSTIC FIBERGLASS MEDIA

FINISH:

- PERF - B12 WHITE

OPTIONAL FINISH:

- PERF - B11 BRIGHT WHITE
- PERF - B13 OFF WHITE
- PERF - B15 METALIC GREY
- PERF - B17 BLACK
- PERF - B18 SILVER

FASTENING OPTIONS & ACCESSORIES:

- STANDARD FACE MOUNT SCREWS (COLOR MATCHED)

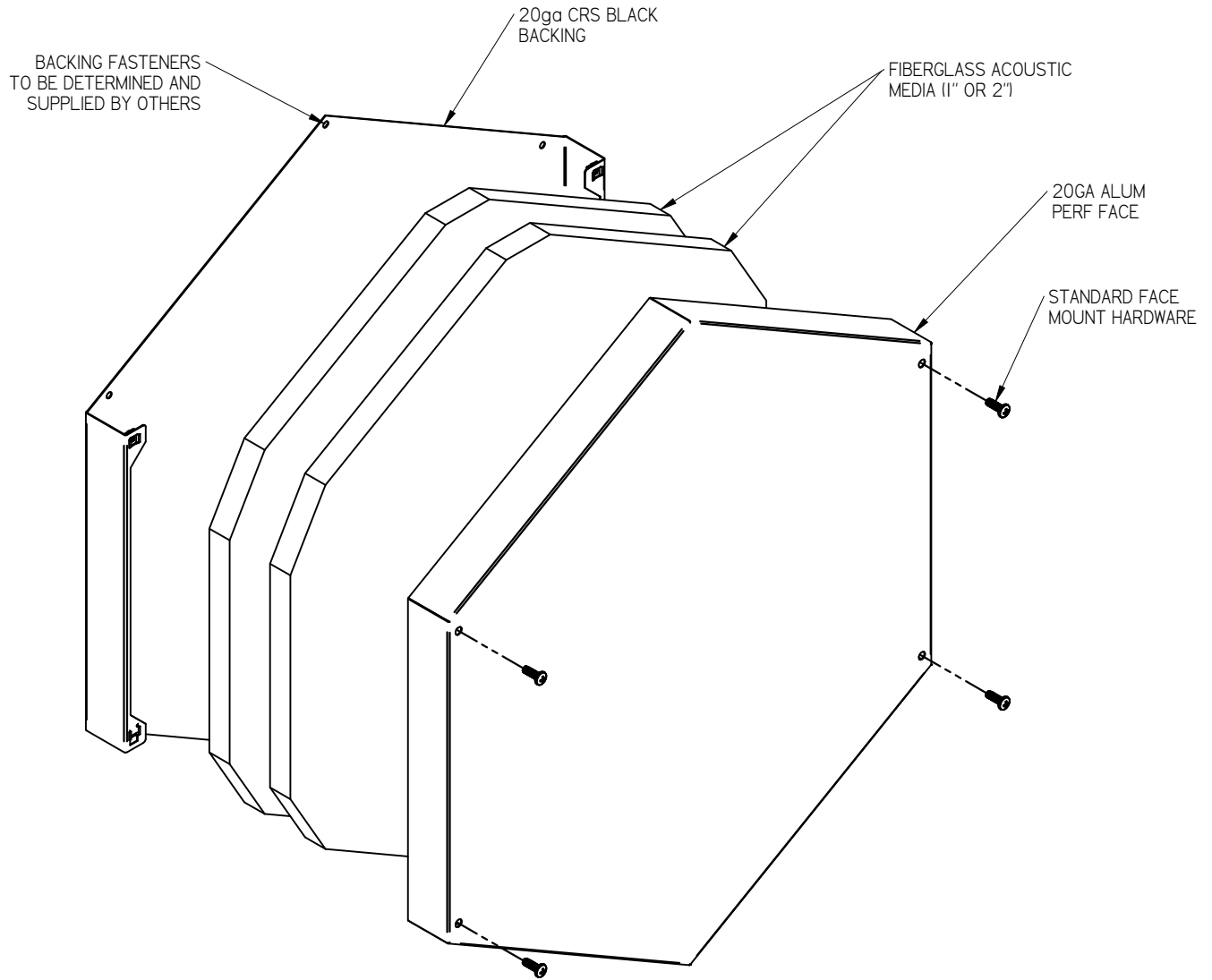
NOTES:

- FACTORY TOLERANCE +/- 1/32" (1)
- FASTENERS FOR BACKING TO BE DETERMINED AND SUPPLIED BY OTHERS

ALL METRIC DIMENSIONS () ARE SOFT CONVERTED. IMPERIAL DIMENSIONS ARE CONVERTED TO METRIC AND ROUNDED TO THE NEAREST MILLIMETER.

PROJECT:		PRICE
ENGINEER:		
CUSTOMER:		<i>SB</i>
SUBMITTAL DATE:		274061
SPEC. SYMBOL:		JAN 2022
AMP ARCHITECTURAL MODULAR PANELS HEXAGON - 24		

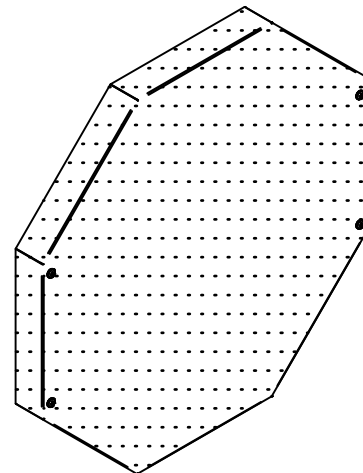
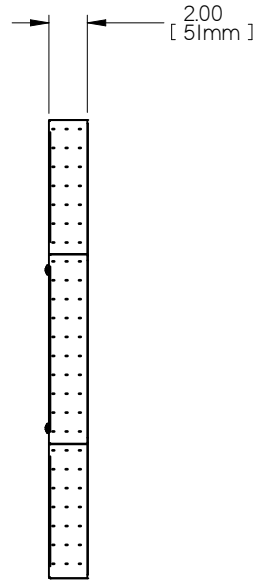
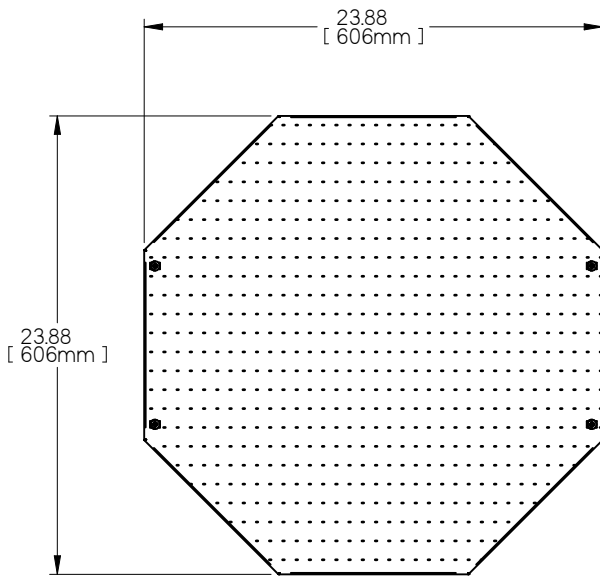
AMP - ARCHITECTURAL MODULAR PANELS



ALL METRIC DIMENSIONS () ARE SOFT CONVERTED. IMPERIAL DIMENSIONS ARE CONVERTED TO METRIC AND ROUNDED TO THE NEAREST MILLIMETER.

PROJECT:		PRICE
ENGINEER:		
CUSTOMER:		<i>SB</i>
SUBMITTAL DATE:		274061
SPEC. SYMBOL:		JAN 2022
		AMP ARCHITECTURAL MODULAR PANELS HEXAGON - 24

AMP - ARCHITECTURAL MODULAR PANELS



STANDARD CONSTRUCTION:

- 2" THICKNESS
- 20GA ALUM PERF
- 20GA CRS BLACK BACKING
- ACOUSTIC FIBERGLASS MEDIA

FINISH:

- PERF - B12 WHITE

OPTIONAL FINISH:

- PERF - B11 BRIGHT WHITE
- PERF - B13 OFF WHITE
- PERF - B15 METALIC GREY
- PERF - B17 BLACK
- PERF - B18 SILVER

FASTENING OPTIONS & ACCESSORIES:

- STANDARD FACE MOUNT SCREWS (COLOR MATCHED)

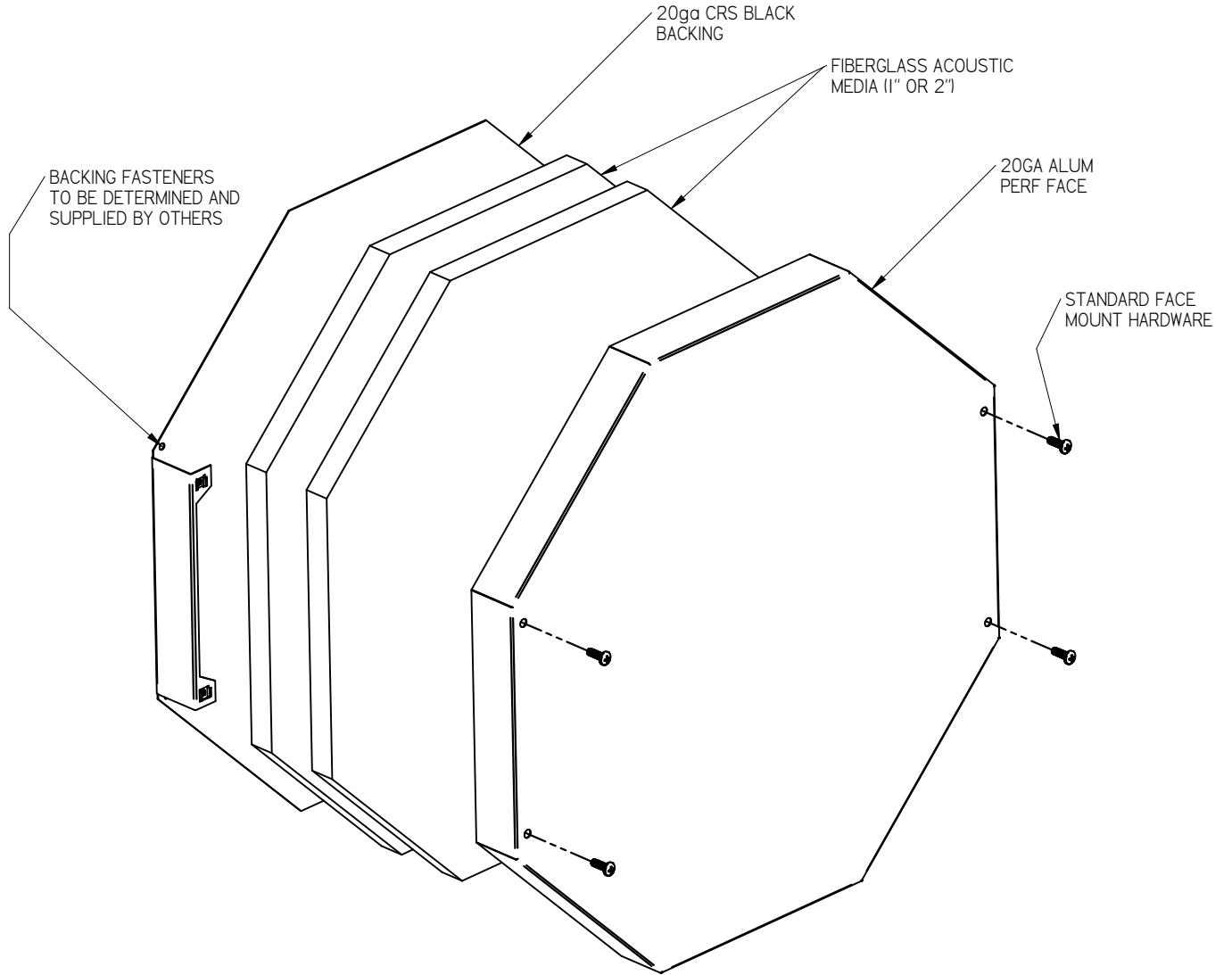
NOTES:

- FACTORY TOLERANCE +/- 1/32" (1)
- FASTENERS FOR BACKING TO BE DETERMINED AND SUPPLIED BY OTHERS

ALL METRIC DIMENSIONS () ARE SOFT CONVERTED. IMPERIAL DIMENSIONS ARE CONVERTED TO METRIC AND ROUNDED TO THE NEAREST MILLIMETER.

PROJECT:		PRICE
ENGINEER:		
CUSTOMER:		<i>SB</i>
SUBMITTAL DATE:		274060
SPEC. SYMBOL:		JAN 2022
		AMP ARCHITECTURAL MODULAR PANELS OCTAGON - 24

AMP - ARCHITECTURAL MODULAR PANELS



ALL METRIC DIMENSIONS () ARE SOFT CONVERTED. IMPERIAL DIMENSIONS ARE CONVERTED TO METRIC AND ROUNDED TO THE NEAREST MILLIMETER.

PROJECT:		PRICE [®]	
ENGINEER:		<i>SB</i>	AMP ARCHITECTURAL MODULAR PANELS OCTAGON - 24
CUSTOMER:		274060	
SUBMITTAL DATE:	SPEC. SYMBOL:	JAN 2022	